

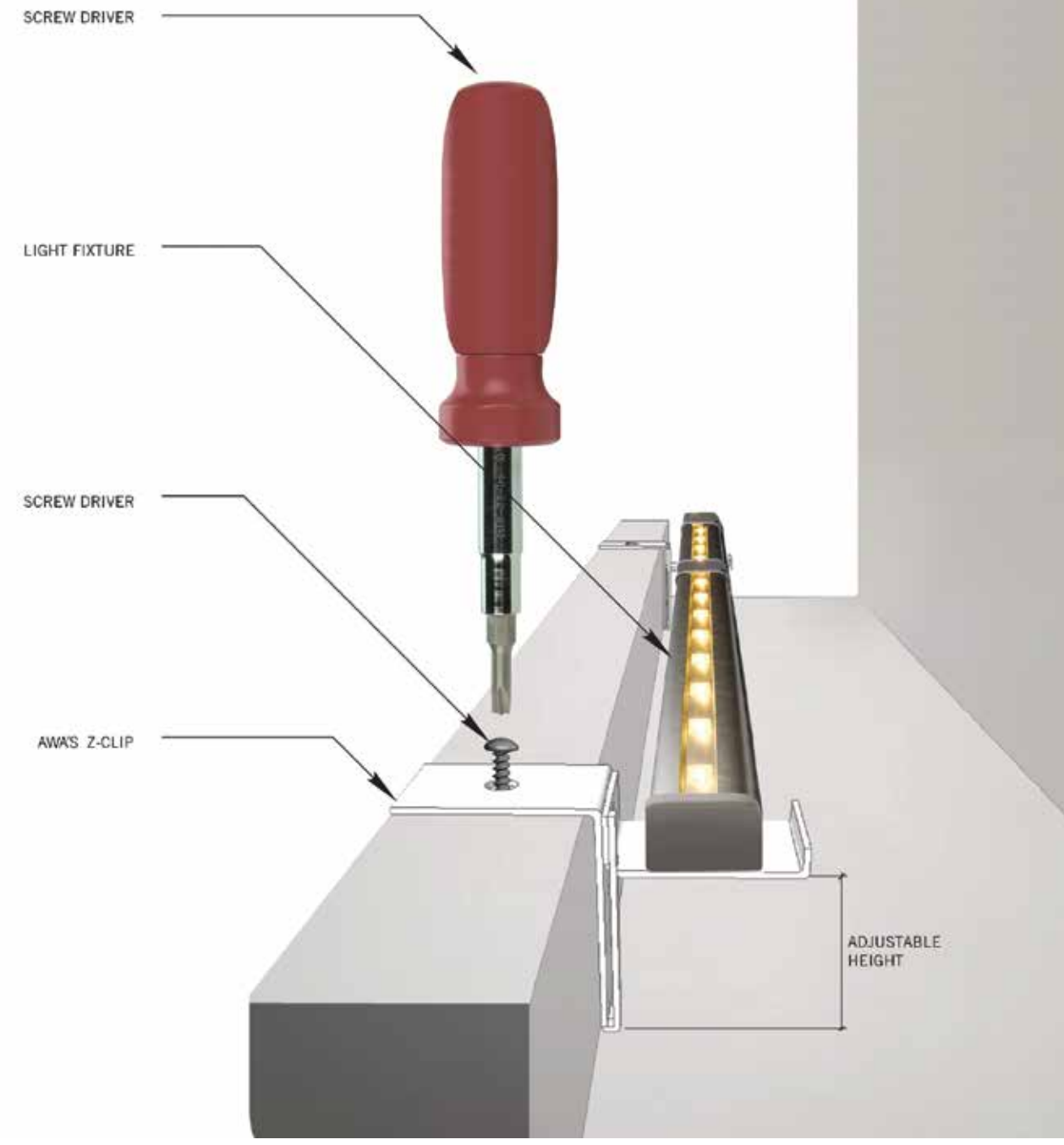
In many healthcare projects, the cove light can be important in certain areas because of predisposed architectural preferences and because it provides a gentle light for the user or visitor. An overwhelming majority of these coves (and slots) are finished poorly, and the light fixtures are “placed” in the cove, not really installed. We had observed over many projects that a linear fixture in a cove or slot would immediately get buried or installed deep in a pocket. Consequently, inefficiencies for light output and maintenance are created because coves are difficult details to appropriately finish— the space is tight and most contractor hands cannot access the light to install the fixtures properly.

The Z-Clip was designed and engineered to make the installation of linear fixtures easy and foolproof. This patent-pending product provides for ease of installation and maintenance applications, especially in the healthcare industry where elimination of dust and dirt, and energy efficiency from lighting systems is very important.

CLIENT	Multiple
DESIGNER	AWA
YEAR	2017
LOCATION	Multiple
VISUALS	AWA

Healthcare Product Design - Z-CLIP (Patent Pending)

product diagram



product installation diagram